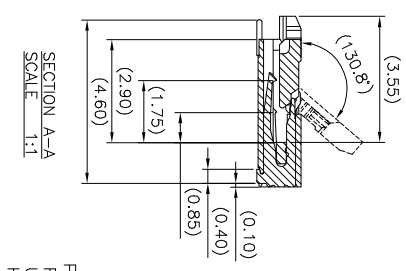


REV.	ECN.NO.	MODIFY CONTENT	DATE
A		初版发行	04/17' 19
B	GE2005034	适配后盖子转轴变更, 优化塑胶结构	06/03' 20

Note:

- Material:
- 1.1 Housing: thermoplastic high temp.U194V-0. Color: natural/black.
- 1.2 Latch: thermoplastic high temp.U194V-0. Color: black.
- 1.3 Terminal: copper alloy.
2. Finish:
- 2.1 Terminal Underplating: Gold flash overall.
3. Product must comply HF RoHS specification.
4. Rating:
- 4.1: Operating Voltage: 30V AC/DC.
- 4.2: Current Rating: 0.3A AC/DC.
- 4.3: Operating Temperature:-55°C~+85°C.
5. Product No:



PLATING: F:Gold flash U:Gold flash 2u" H:Gold flash 3u"

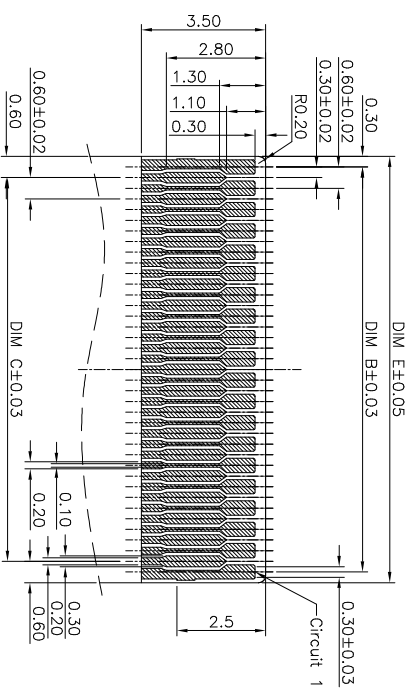
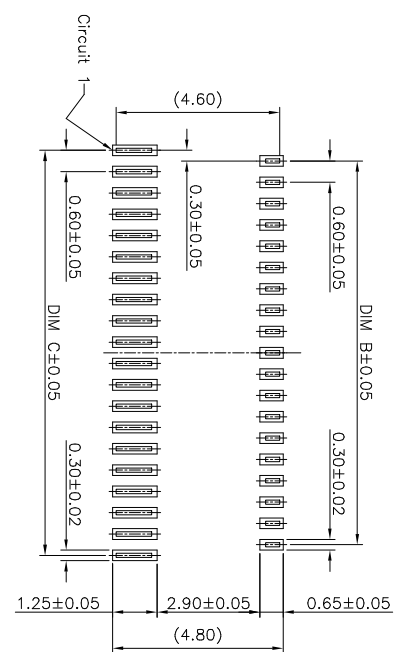
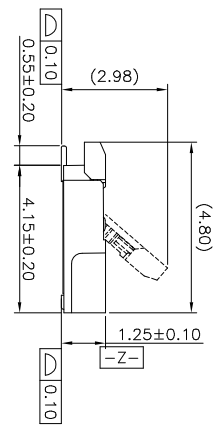
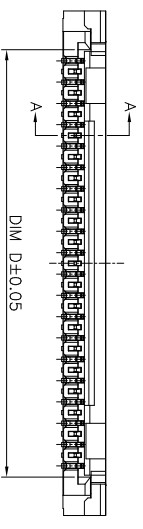
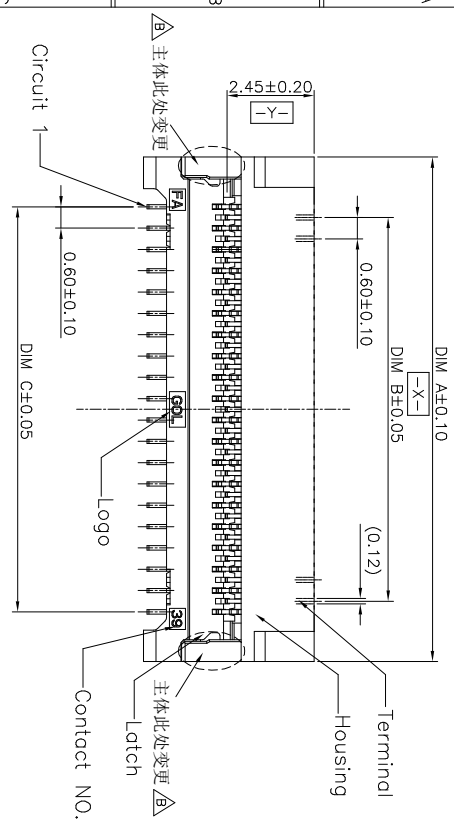
SERIES NUMBER: F03013 ** C * 3

CKTS: **

REMARKS: HF:Halogen free 00:RoHS

PACKING: 1:Tube 3:Tope&Reel

COLOUR: O:White 1:Black



CTNS	DIM A	DIM B	DIM C	DIM D	DIM E
15	7.00	3.60	4.20	4.83	4.80
17	7.60	4.20	4.80	5.43	5.40
19	8.20	4.80	5.40	6.03	6.00
21	8.80	5.40	6.00	6.63	6.60
23	9.40	6.00	6.60	7.23	7.20
25	10.00	6.60	7.20	7.83	7.80
27	10.60	7.20	7.80	8.43	8.40
29	11.20	7.80	8.40	9.03	9.00
31	11.80	8.40	9.00	9.63	9.60
33	12.40	9.00	9.60	10.23	10.20
35	13.00	9.60	10.20	10.83	10.80
37	13.60	10.20	10.80	11.43	11.40
39	14.20	10.80	11.40	12.03	12.00
41	14.80	11.40	12.00	12.63	12.60
43	15.40	12.00	12.60	13.23	13.20
45	16.00	12.60	13.20	13.83	13.80
47	16.60	13.20	13.80	14.43	14.40
49	17.20	13.80	14.40	15.03	15.00
51	17.80	14.40	15.00	15.63	15.60
53	18.40	15.00	15.60	16.23	16.20
55	19.00	15.60	16.20	16.83	16.80
57	19.60	16.20	16.80	17.43	17.40
59	20.20	16.80	17.40	18.03	18.00
61	20.80	17.40	18.00	18.63	18.60
63	21.40	18.00	18.60	19.23	19.20
65	22.00	18.60	19.20	19.83	19.80
67	22.60	19.20	19.80	20.43	20.40
69	23.20	19.80	20.40	21.03	21.00
71	23.80	20.40	21.00	21.63	21.60

RECOMMENDED FPC/FPC DIMENSION

RECOMMENDED P.C.B PATTERN LAYOUT

GENERAL TOLERANCE		DRAWN	SCALE	PART NO.	1F03013**C03-**-**
X.±0.30	X.±1°	CHECKED	1/1	TITLE	0.3 Pitch H=1.25 FPC
.X±0.25	.X±0.1°	APPROVED	UNITS	mm	
.XX±0.20		File NO.			
.XXX±0.10		REV.			
SHEET 1/1	QTY 1	B			

CUSTOMER DRAWING

注: 此文件为双方检验的唯一标准
This document is the only standard for inspection by both parties.

蘇州祥龍嘉業電子科技股份有限公司
Goldenconn Electronics Technology Co.,LTD